

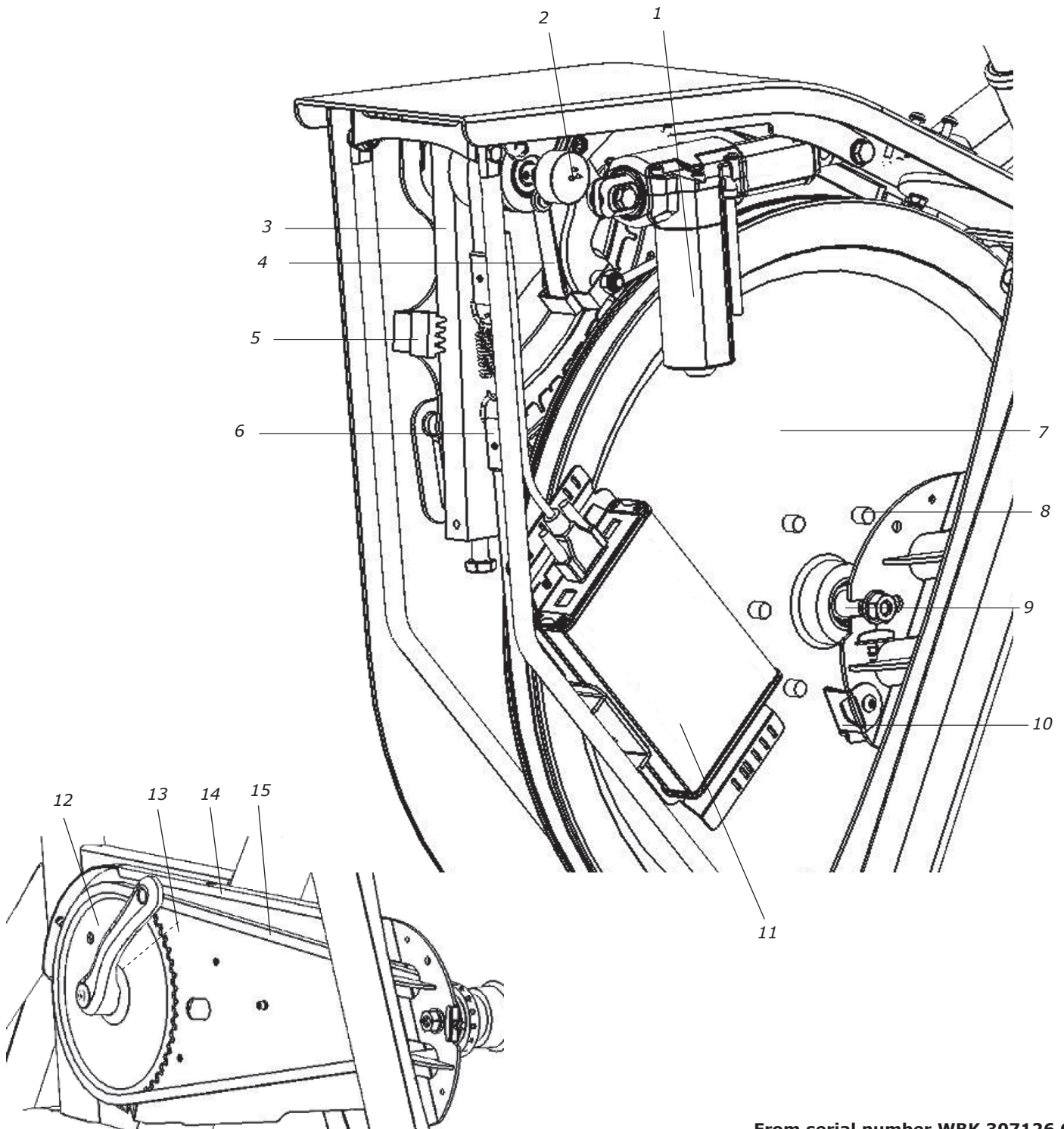


Fig: Chest belt Polar
(sample image)

1	9311-9312	Power cord for power adaptor, EU
1	9311-9313	Power cord for power adaptor, UK
1	9311-9314	Power cord for power adaptor, US
1	9311-9315	Power cord for power adaptor, AUS

From serial number WBK 307126 Q

Pos.	Qty.	Art. No.	Description	Pos.	Qty.	Art. No.	Description
1	1	9300-147	Saddle, racer with adaptor		1	9310-29	Handlebar stem with clamp, complete
2	1	9310-28	Sledge, complete	13	1	9311-74	-Locking handle black M10x80, complete
3	1	9311-24	-Locking handle M10x32, black		1	9310-281	-T-slot nut M10L
4	1	9310-30	Saddle post	14	1	9310-24	-Handlebar clamp
5	2	9328-1315	Bushing with hole	15	1	9310-92	-Handlebar stem
6	2	9310-27	Piston locking, complete	16	1	9312-90	Handlebar TT
	2	9100-289	-Locking handle M10x50, blue, complete		1	C2600206	Handlebar tape Black CORK C260
7	2	8321-75	Pedals SPD with clips and strap	17	1	C2205419-120	Reparto corse stem 120 mm Al
8	1	9301-3	Support tube rear, complete	18	1	9312-23	Power switch with LED
	2	9328-51	-Plastic cap	19	1	9310-71	Lock to front cover
	2	9328-26	-Rubber foot with screw M8	20	1	9310-20	Front cover
9	1	9310-595	Side cover rear, right (outer chain guard)	21	1	9310-620	Side cover front, right, with recess for scale
10	1	9310-13	Scale 7 kp, complete	22	1	9310-630-1	Side cover front, left, with a hole for cables
	1	9310-152	-Scale	23	1	9310-605	Side cover rear, left
	1	9000-103	-Pole screw M5x12, white	24	1	9000-103	-Pole screw M5x12, white
11	1	8243-7	Holder for cable	25	1	9312-5-7	Monark novo Display Unit
12	1	9301-4	Support tube front, complete	26	2	9312-12	-Knurled screws
	2	9328-51	-Plastic cap	27	1	9310-12	Display holder, Monark novo
	2	9328-26	-Rubber foot with screw M8		1	9312-311	Chest belt Polar H9
	2	9000-38	-Transport wheel, complete		1	9311-9311-1	Power adaptor
					1	9000-211	Calibration weight 4 kg



From serial number WBK 307126 Q

Pos.	Qty.	Art. No.	Description	Pos.	Qty.	Art. No.	Description
1	1	9310-56	Motor package, complete	7	1	9300-31	Flywheel, complete with magnets
	1	9310-55	-Motor	8	6	9374-16	-Magnets
2	1	9311-67	Potentiometer with cable	9	1	9300-24	-Flywheel suspension, complete
3	1	9310-45	Pendulum 7 kp, complete	10	1	9311-84	Sensor with bracket, complete
	1	9310-43	-Pointer	11	1	9311-905	Monark novo control unit LC7TT
	1	9326-88	-Spring				
4	1	9100-26	Tension cylinder	12	1	9300-4750	Crank set, 52T, 172,5 mm, Q 146 mm
5	2	9300-99	Stop	13	1	9300-480	Cartridge bottom bracket 68/110 mm
6	1	9310-94	Brake belt, complete	14	1	9312-26	Inner chain guard with nuts
				15	1	9310-118	Chain 9300, 129 L, with chain lock