

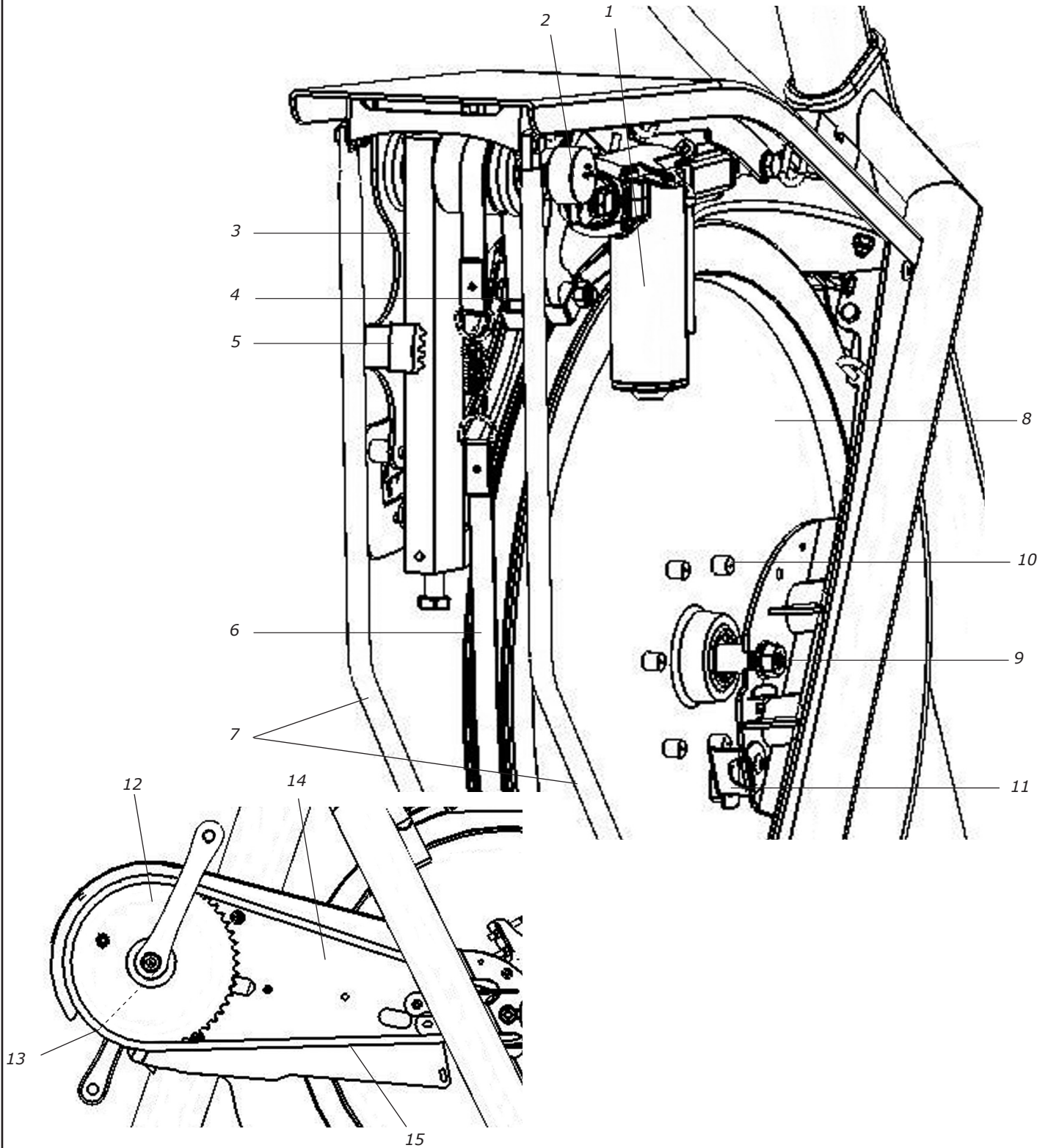
Fig: Chest belt



Fig: Power adaptor without power cord

9311-9312	Power cord for power adaptor, EU
9311-9313	Power cord for power adaptor, UK
9311-9314	Power cord for power adaptor, US
9311-9315	Power cord for power adaptor, AUS

Pos.	Qty.	Art. No.	Description	Pos.	Qty.	Art. No.	Description
1	1	9338-26	LED	12	1	9327-84	Cover
2	1	9310-72	Power switch	13	1	9301-145	Support tube rear, complete
3	1	9310-13	Scale 7 kp, complete		2	9309-51	-Plastic cap
	1	9310-152	-Scale		2	9328-26	-Rubber foot with screw M8
	1	9000-103	-Pole screw M5x12, white	14	1	9329-3	Seat for recumbent, complete
4	1	9310-620	Side cover, right	15	1	9308-133	-Locking knob
5	1	8243-7	Holder for cable	16	1	9326-97	Lever for length adjustment
6	1	9310-71	Lock to front cover	17	2	9311-142	Stop
7	1	9310-20	Front cover	18	1	74435-1	Pedals for recumbent, pair
8	1	9310-630-1	Side cover, left	19	1	9311-36	Side cover rear, right
9	1	9301-4	Support tube front, complete	20	1	9311-86	Handlebar for recumbent, complete
	2	9328-51	-Plastic cap	21	1	9311-165	Display RC4
	2	9328-26	-Rubber foot with screw M8		1	9311-160-1	-Battery cover, silver
	2	9000-38	-Transport wheel, complete		1	9000-211	Calibration weight 4 kg
10	1	9310-605	Side cover rear, left		1	9311-75	Chest belt Garmin ANT+
	1	9000-103	-Pole screw M5x12, white		1	9311-9311-1	Power adaptor AC/DC
11	1	9328-26	Rubber foot with screw M8				



Pos.	Qty.	Art. No.	Description	Pos.	Qty.	Art. No.	Description
1	1	9310-56	Motor package, complete	8	1	9300-31	Flywheel, complete
2	1	9311-67-1	Potentiometer with cable G3	9	1	9300-24	-Flywheel suspension, complete
3	1	9310-45	Pendulum 7 kp, complete	10	6	9326-164	-Magnets
	1	9310-43	-Pointer	11	1	9311-84	Sensor with bracket, complete
	1	9326-88	-Spring	12	1	9300-430	Crank steel, 52T, 170 mm standard
4	1	9100-26	Tension cylinder	13	1	9300-340	Cartridge bottom bracket 68/122 mm
5	2	9300-99	Stop	14	1	9311-6	Inner chain guard
6	1	9310-94	Brake belt, complete	15	1	9300-104	Chain 9300, 104 L, with chain lock
7	2	9310-65	Stay				