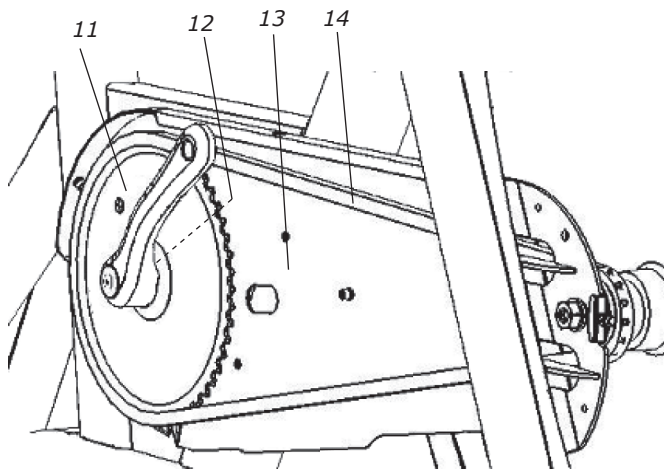
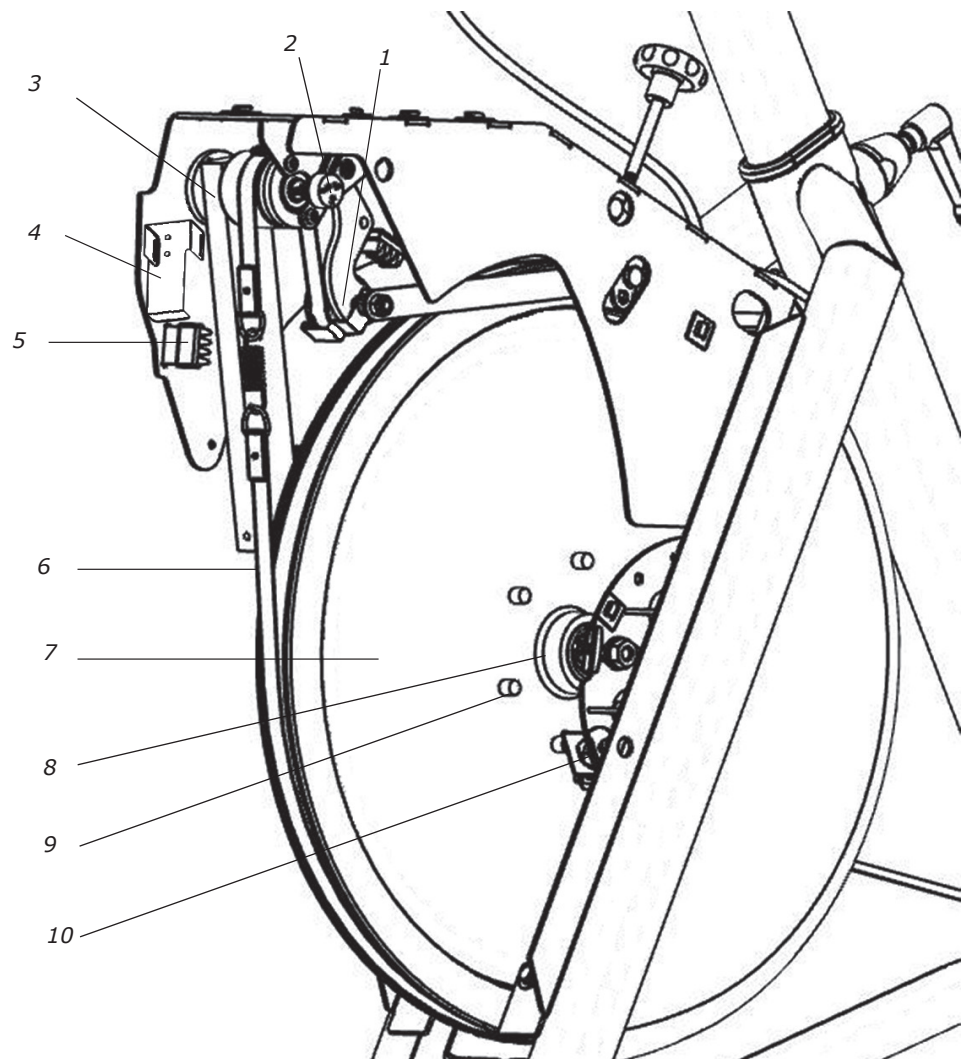


Fig: Chest belt

Art. No.:	Description
9311-75-1	Chestbelt Garmin HRM Dual soft
9318-9	GP PowerBank LC2
9318-8	GP Power adaptor incl. USB cable
9311-75-1	Chestbelt Garmin HRM Dual soft

Pos.	Qty.	Art. No.	Description	Pos.	Qty.	Art. No.	Description
		9218-7	Seatpost LC2 compl.	10	1	9318-78	SCI toggle switch
1	1	C7100689	- Saddle Unicus black	11	1	9318-24	Workload knob LC2
2	1	9311-23	- Sledge for seatpost L, Ni/Cr	12	2	9309-1315	Seatpost bushing 927 black, hole
3	1	9311-24	- Locking knob M10x32 black, straight handle			9318-75	Handlebar stem LC2 compl.
4	1	9311-21	- Seatpost LT w. rail Ni/Cr	13	1	9311-33	- Handlebar stem LT w. rail Ni/Cr
5	2	8321-75	Pedals SPD with clips and strap	14	1	9311-24	- Locking knob M10x32 black, straight handle
6		9301-150	Support tubes compl. LT/LC	15	1	C2205531-70	- RC Sport stem 70 Alu
	1	9301-157	- Support tube oval f 827 w. brackets, black	16	1	C2306009-42	- Handlebar Performance Alu 42 cm LC
	1	9301-167	- Support tube 827 oval without brackets, black	17	1	9311-31	- Handlebar clamp Ni/Cr f L-frame
	2	9309-51	- Plastic cap for support tube black	18	1	9318-18	Display holder novo mini
	4	9328-26	- Rubber foot with screw M8 black	19	1	9318-16-1	Display novo mini manual
	2	9000-37	- Transport wheel 75x24x08 PVC grey	20	1	C2600206	Handlebar tape Black CORK C260
7	1	9310-595-S	Side cover rear black f. LC right	21	2	9310-275	Piston locking, compl. LT black handle
8	1	9310-13	Scale 7 kp, compl. LC		2	9100-287	-Locking handle low M10x50, black
	1	9310-152	- Scale LC Ni/Cr, screenprint	22	1	9310-605-S	Side cover rear, black LC, left
	1	9000-103	- Pole screw M5x12 white	23	1	9000-104	Pole screw M5x12 black
9	1	9318-50	Front cover LC2 black				



Pos.	Qty.	Art. No.	Description	Pos.	Qty.	Art. No.	Description
1	1	9100-26	Tension roller compl.	7	1	9300-31	Flywheel compl. w 6 magnets
2	1	9311-67-1	Potentiometer with cable G3	8	1	9300-24	- Flywheel suspension compl.
3	1	9310-45	Pendulum 7 kp, complete	9	6	L5693	- Magnet 10x10
	1	9310-43	- Pointer	10	1	9311-84	Sensor G3 w bracket f 6 magnets -14
	1	9326-88	- Spring	11	1	9300-4750	Crank steel 52T 172.5, coated
4	1	9318-91	Holder Powerbank LC2 stainless	12	1	9300-480	Cartridge bottom bracket 68/110 mm
5	2	9300-99	Plastic stop	13	1	9311-801	Chain guard LC2 black
6	1	9310-94	Brake belt compl. LC	14	1	9310-118	Chain 9300 120 links incl. lock